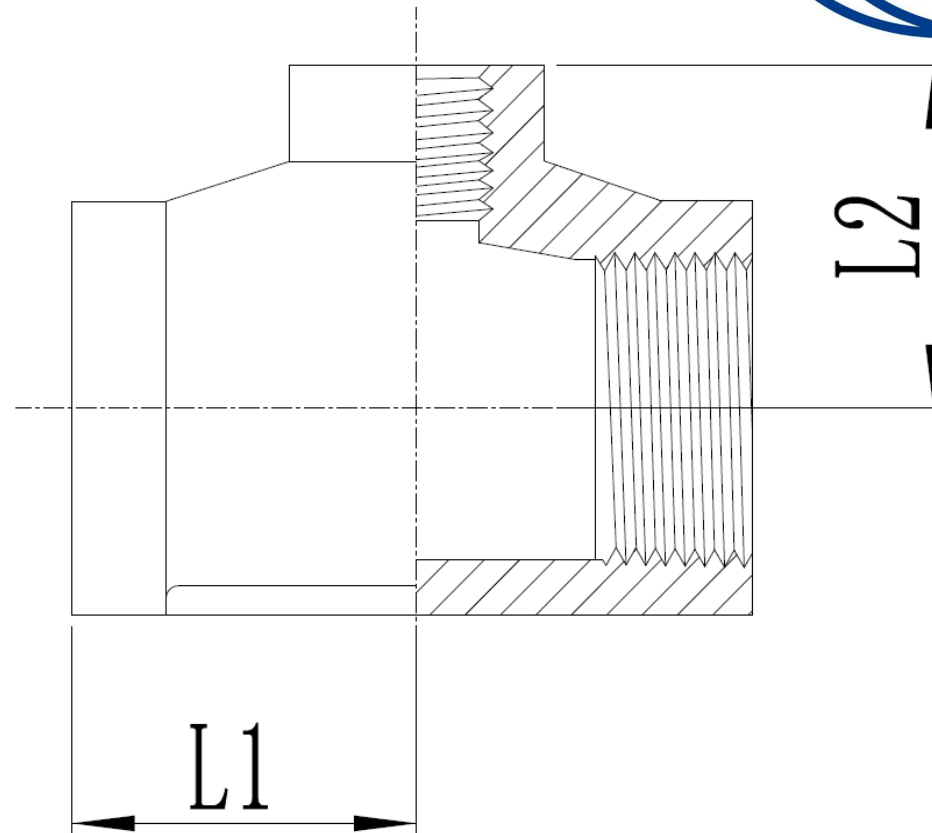


307 R T-Stück, I-Gewinde, reduziert
Tee, female, thread reduced V4A/AISI 316



	L2	L1
1/2" x 1/4"	24,00	23,00
1/2"x3/8"	26,50	24,00
3/4" x 1/2"	30,00	29,00
1" x 1/2"	33,00	32,00
1" x 3/4"	34,00	35,00
1 1/4" x 1"	42,00	40,00
1 1/2" x 1"	44,50	42,00
2" x 1"	51,00	42,00
2" x 1 1/4"	53,50	46,00
2" x 1 1/2"	55,50	49,00

Toleranz +/- 1,0 mm



RO-FI / 307 R (E307) 2019-12 / F