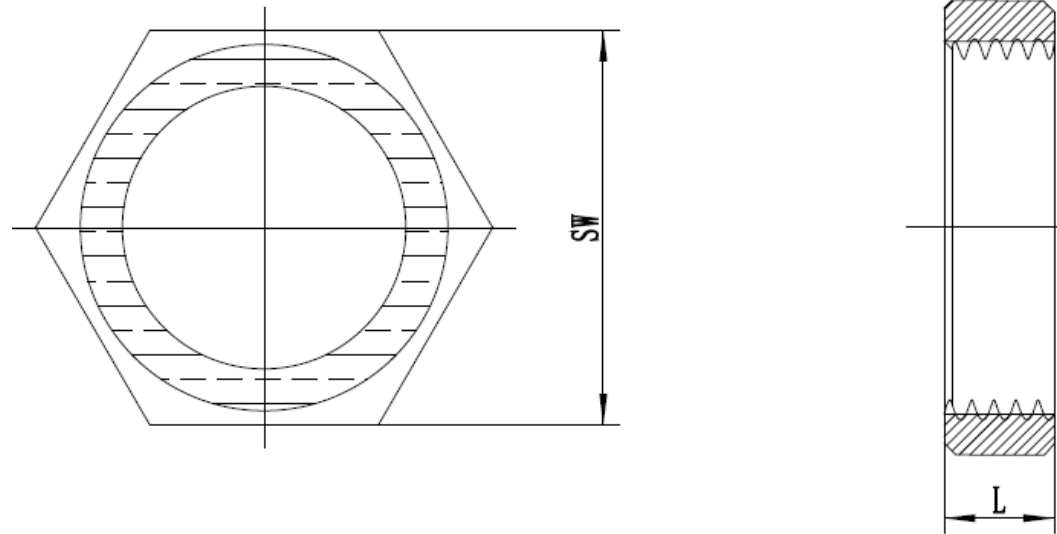


ECO-leichte Ausführung



327 6 - kt.- Mutter
Hex. - Nut V4A/AISI 316

	L	SW
1/8"	5.00	15.00
1/4"	7.00	18.00
3/8"	8.20	24.00
1/2"	8.40	29.80
3/4"	9.80	36.00
1"	9.00	40.80
1 1/4"	11.00	52.00
1 1/2"	12.60	60.00
2"	13.00	69.00
2 1/2"	17.00	90.00
3"	21.00	100.00
4"	23.00	127.50

Toleranz +/- 1,0 mm