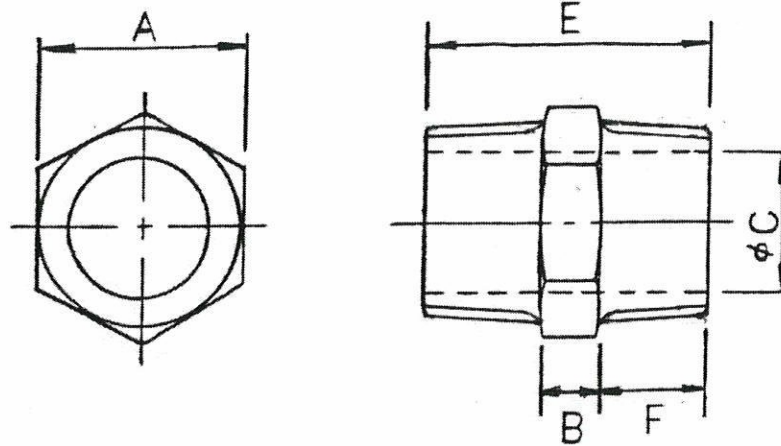


|  |  |  |                    |  |  |  |
|--|--|--|--------------------|--|--|--|
|  |  |  | <b>HEX. NIPPLE</b> |  |  |  |
|  |  |  | 2018.7.30          |  |  |  |



|      | A    | B    | $\phi C$ | E    | F    | Angle |  |  |  |  |
|------|------|------|----------|------|------|-------|--|--|--|--|
| 1/8" | 12   | 7    | 5        | 28   | 10.5 | 6     |  |  |  |  |
| 1/4" | 14.5 | 8    | 8.5      | 30.2 | 11.5 | 6     |  |  |  |  |
| 3/8" | 19   | 7.4  | 10.5     | 31.4 | 12   | 6     |  |  |  |  |
| 1/2" | 22   | 8    | 15       | 35   | 13.5 | 6     |  |  |  |  |
| 3/4" | 27.9 | 9    | 20.5     | 39   | 15   | 6     |  |  |  |  |
| 1"   | 34.2 | 10   | 26.3     | 45.2 | 17.6 | 6     |  |  |  |  |
| 1¼"  | 43   | 11   | 34.5     | 48.2 | 18.6 | 6     |  |  |  |  |
| 1½"  | 49.5 | 11   | 41       | 50.4 | 19.7 | 6     |  |  |  |  |
| 2"   | 62   | 12   | 52       | 57.2 | 22.6 | 6     |  |  |  |  |
| 2½"  | 76.8 | 13   | 66.5     | 64   | 25.5 | 8     |  |  |  |  |
| 3"   | 90   | 13.2 | 78       | 70.2 | 28.5 | 8     |  |  |  |  |
| 4"   | 118  | 20   | 100.5    | 94   | 37   | 8     |  |  |  |  |