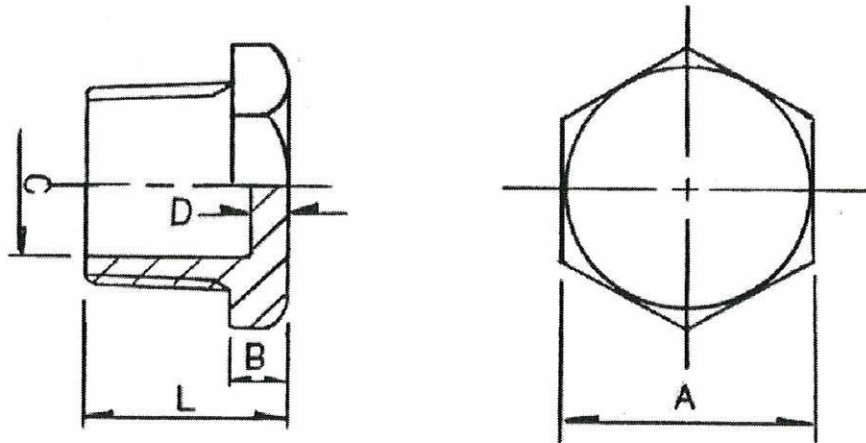




330 6-/8-kt. Stopfen, Aussengewinde - konisch  
Hex.-/Oct.-Plug, male thread - conical, V4A/AISI 316

RO-FI / 330 (0330) 2018-08 / P

			<b>HEX. PLUG</b>			
			2018.7.30			



	A	B	C	D	L					
1/8"	12	5	solid	solid	16					
1/4"	17	5	8.8	2.6	18					
3/8"	20.5	5	11.4	3.2	18					
1/2"	25.5	6	14.8	3.5	22					
3/4"	32	7	19	4.5	24					
1"	38	7.5	26.5	4.5	27					
1 1/4"	46.5	7.5	34.8	5	26					
1 1/2"	52	9	39	5	29.5					
2"	62.5	10	50.2	5	32					
2 1/2"	80.5	10	63.5	5	36.5					
3"	93	11.5	74.6	5	37.5					
4"	120	12.5	98.5	5.5	42					