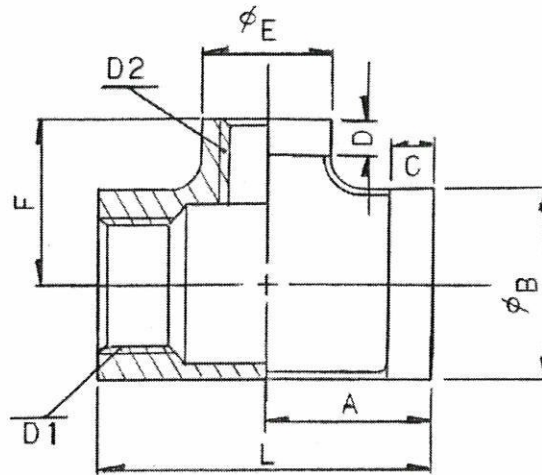




307 R T-Stück, Innengewinde, reduziert  
Tee, female thread, reduced, V4A / 316

RO-FI / 307 R (0307) 2016-09 / P

			RED. TEE			
			2008.5.15			



	D1	D2	A	φ B	C	D	φ E	F	L		D1	D2	A	φ B	C	D	φ E	F	L
	1/4"	1/8"	19.8	19	6	5.5	14.2	19.5	39.6		1 1/4"	1/2"	36	52	9.2	6.8	32.8	41.2	72
	3/8"	1/4"	23.1	25	7	5.5	19	22.7	46.2			3/4"	36	52	9.2	6.8	33.3	41.6	72
	1/2"	1/4"	25.7	29	6.2	5.5	19	25.9	51.4			1"	41	52.4	10	8.8	43	42.1	82
		3/8"	26	29.2	7.2	7	25.3	26.5	52		1 1/2"	3/4"	48.5	58.8	10.8	9.7	52	48.2	97
	3/4"	1/4"	26	33.2	7.2	7	24.8	28.4	52			1"	48.5	58.8	10.8	9.7	52	48.2	97
		3/8"	26	33.2	7.2	7	25	28.4	52			1 1/4"	48.5	58.8	10.8	9.7	52	48.2	97
		1/2"	29.3	32.8	7	6.7	27.2	29.9	58.6		2"	1/2"	40.4	71.6	12	7	33	50.6	80.8
	1"	3/8"	32.5	42.4	8.2	6.8	30.6	33.8	65			3/4"	40.4	71.6	12	7	33	50.6	80.8
		1/2"	32.8	40.4	8.6	6.8	27.2	34.8	65.6			1"	47.8	71.6	12	8.5	51.6	54.2	95.6
		3/4"	35.3	42.6	8.6	7	33.4	36.7	70.6			1 1/4"	47.8	71.6	12	8.5	51.6	54.2	95.6
	1 1/4"	3/8"	36	49.6	10	6.5	22	41	72			1 1/2"	53	71.6	12	10	59.2	56.5	106