

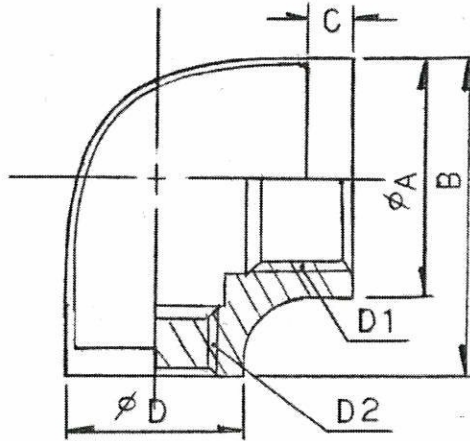


301 R Winkel, 90°, I/I-Gewinde, reduziert
 Elbow, 90°, F/F thread, reduced, V4A / AISI 316

RO-FI / 301R (0301) 2016-09 / P

RED. ELBOW

2008.5.15



	D1	D2	φ A	B	C	φ D	E	D1	D2	φ A	B	C	φ D	E
	3/8"	1/4"	25	35.5	5.8	18.6	5.8	2"	1 1/4"	71.3	74	12	52	9.3
	1/2"	3/8"	28.5	39.5	7	24.5	5.8		1 1/2	71.3	81	12	58.5	9.8
	3/4"	3/8"	33.2	41	7	24.5	5.3							
		1/2"	33.2	45	7.5	28.6	6.7							
	1"	1/2"	42.6	43.6	7.7	29.7	7.3							
		3/4"	42.6	54.6	8.3	33.2	7.3							
	1 1/4"	1/2"	52	64.5	8.8	33.2	7							
		3/4"	52.3	65	8.8	33.2	7							
		1"	52.5	68.5	10	42.8	8.5							
	1 1/2"	1"	58.6	75	11	43.8	9							
		1-1/4"	59.3	71.5	10	52	9.3							