

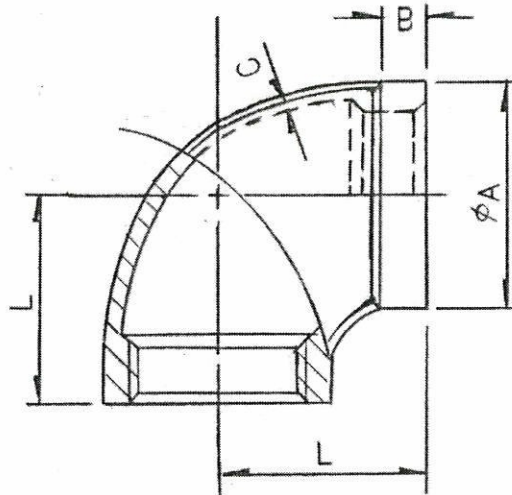


301 Winkel, 90°, I/I-Gewinde
 Elbow, 90°, F/F, V4A / Aisi316

RO-FI / 301 (0301) 2018-08 / P

ELBOW 90'

2018.7.30



	ϕA	B	C	L						
1/8"	15	5	1.5	15						
1/4"	18.6	5	1.5	19.1						
3/8"	22	7	1.5	22						
1/2"	27	6	1.5	25.4						
3/4"	32.5	7	1.6	29.6						
1"	40.2	8	1.8	35.8						
1¼"	49.7	9	2	43.2						
1½"	55.7	9	2.1	46.6						
2"	68.5	13	2.4	56.4						
2½"	84.5	11	2.5	65.8						
3"	100.5	12	3	74.3						
4"	126.5	13	3.3	90.6						