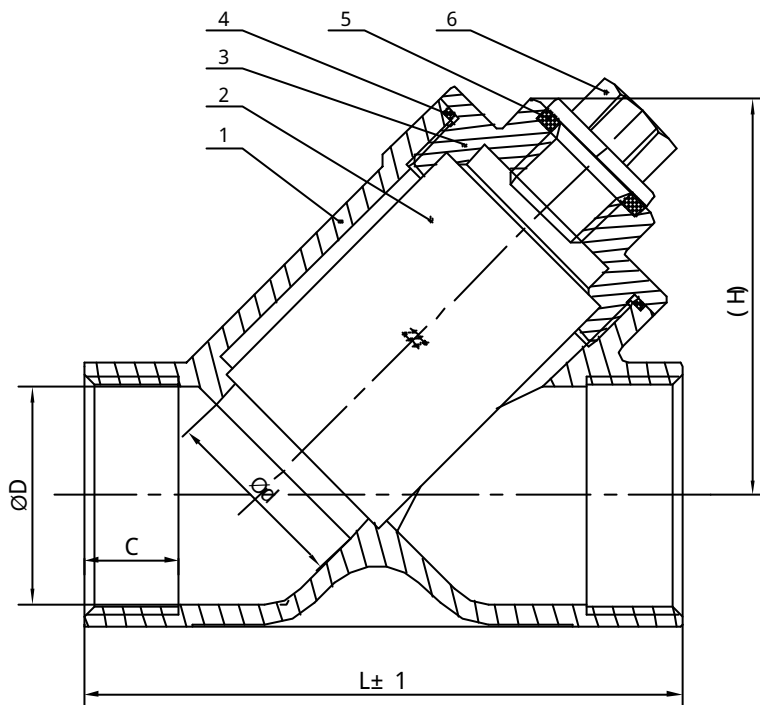




Schmutzfänger, PN 40, SF 336, V4A / Y-Strainer, screwed end



Nb.	Parts name	Material
1	Body	A351 CF8M
2	Screen	A276 316
3	Cap	A351 CF8M
4	Gasket	PTFE
5	Gasket	PTFE
6	Plug Screw	A276 304

Dimension	d	D	H	C	L
1/4"	11	11,6	37,8	11	56
3/8"	11	14	37,8	11	56
1/2"	15	17,5	44,7	14	65
3/4"	20	23	52,1	15	75
1"	25	29	65,7	17	90
1 1/4"	32	38	70,0	19	110
1 1/2"	38	43,5	79,5	19	120
2"	48	55	95,5	22	140
2 1/2"	65	69	125,0	26	190
3"	78	81,5	144,5	28	205

Main Technical Parameter		
Normal pressure	800	Psi
Test pressure	Shell test pressure	8.4
	Tightness test	6.2
	Gas-Tightness test	0.6
Max working temperature	-20 ~ 150	°C
Applicable medium: water, gas, oil, acid		

Sieb/Filter 0,25 mm

TECHNICAL SPECIFICATION

- 1 Basic design and manufacture according to ANSI B16.34 ;
- 2 NPT Threaded ends complied with ANSI B 1.20.1 ;
- 3 Rc, Rp&G Threaded ends complied with BS 21/2779, DIN 259/2999, ISO 228 are upon request ;
- 4 Inspection and tested according to API598.

RO-FI / SF 336 (3360) 2019-12 / F

1/2" ~ 3" H1YF-800R Y-TYPE STRAINER ASSEMBLY DIAGRAM	Y-TYPE STRAINER
1/4" ~ 3" H1YF-800R	