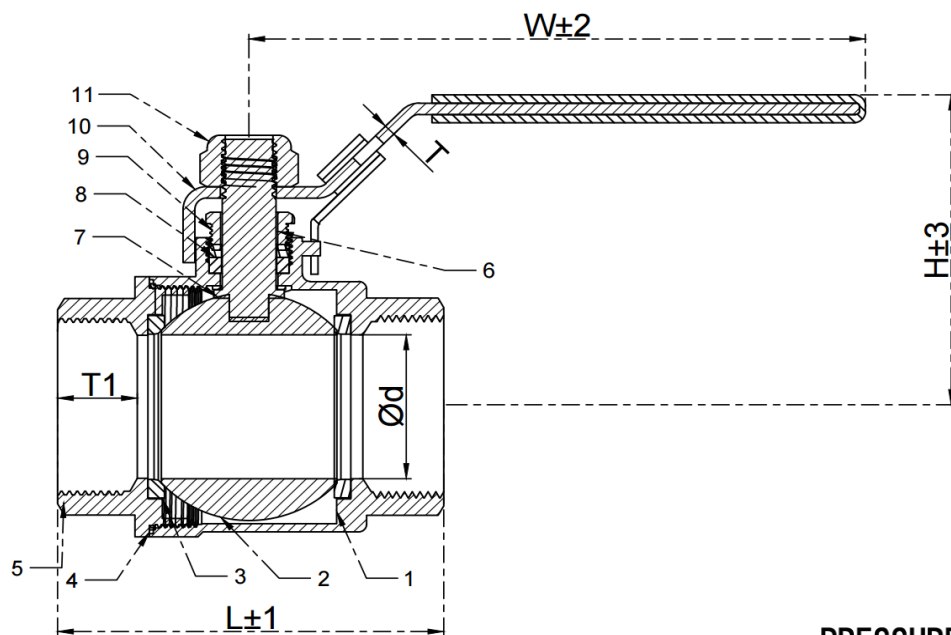


**N 300F 2-teil. Kugelhahn, V4A, PN 40/63, voller Durchgang, I/I-Gew. / 2-pc. Ball Valve, 316, full bore, F/F**

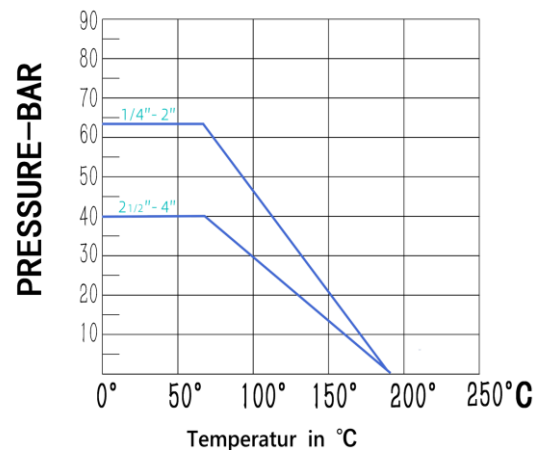
RO-FI / 300F (N300F) 2025-11 F



SIZE	d	L	H	W	T	T1	S
1/4"	11	46	48	98	2.4	8.5	20
3/8"	11	46	48	98	2.4	8.5	20
1/2"	15	57	57	98	2.4	12	25
3/4"	20	65	64	118	2.4	14	30
1"	25	77	72	130	3	16	38
1-1/4"	32	90	79	150	3	18	47
1-1/2"	38	97	88	169	3.5	18	53
2"	49	115	96	169	3.5	21.5	65
2-1/2"	65	138	120	242	4.7	23	81
3"	78	164	131	242	4.7	27	94
4"	100	206	158	295	6	31	123

Main Technical Parameter			
Normal Pressure		6.3	MPa
Test Pressure	Shell Test Pressure	10.5	
	Tightness Test	7.7	
	Gas-Tightness Test	0.6	
Max Working Temperature		-20 - 180	°C
Applicable Medium: water, gas, oil, acid			

**PRESSURE-TEMPERATURE RATING**



No.	Parts Name	Material
1	BODY	DIN1.4408
2	BALL	ASTM 316
3	SEAT	PTFE
4	BODY GASKET	PTFE
5	BONNET	DIN1.4408
6	STEM	ASTM 316
7	STEM WASHER	PTFE
8	PACKING	PTFE
9	GLAND	ASTM 304
10	HANDLE	Stainless Steel
11	NUT	Stainless Steel

