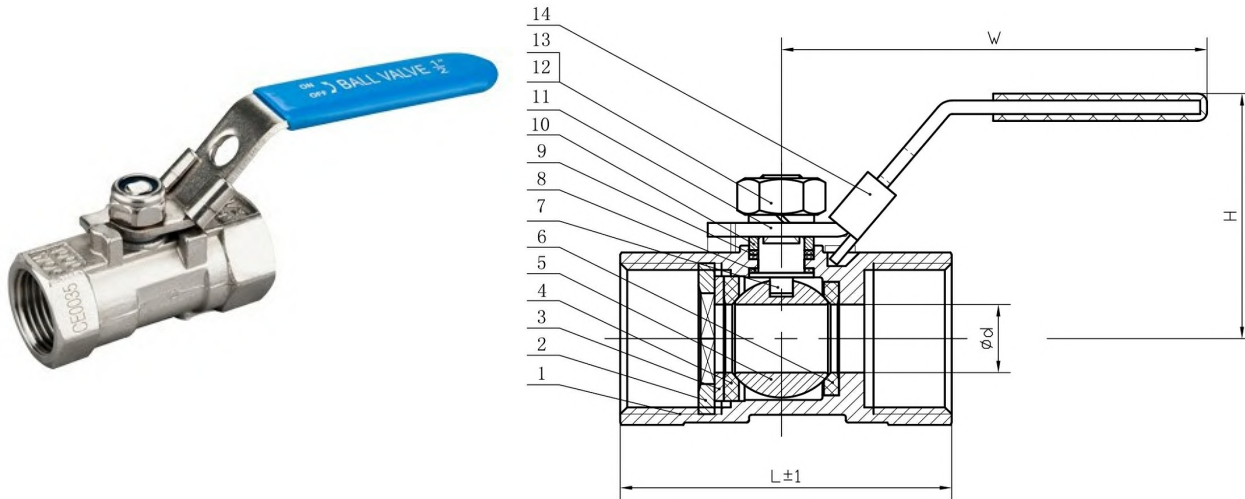
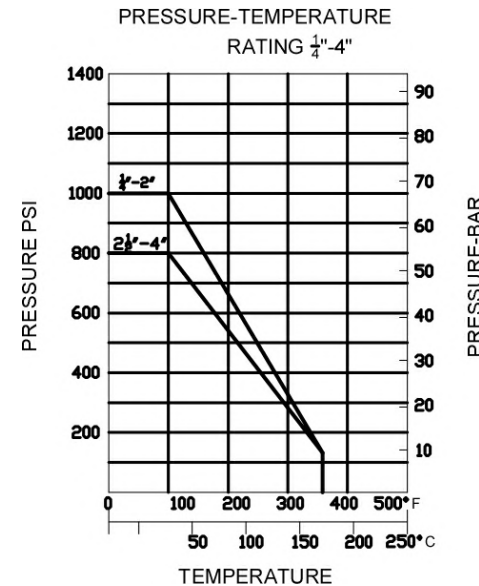


N 300 1-teiliger Kugelhahn, reduzierter Durchgang, Innengewinde / 1-pc. thread Ball Valve, reduced bore, Female/Female - PN 63, V4A / 316



No	Parts name	material
1	Body	ASTM A351 CF8M
2	Bonnet	ASTM A276 316
3	Cap Gasket	ASTM A276 304
4	Seat	PTFE
5	Ball	ASTM A276 304
6	Seat	PTFE
7	Stem	ASTM A276 316
8	Stem Gasket	PTFE
9	Packing	PTFE
10	Packing Gland	ASTM A276 304
11	Handle	ASTM A276 304
12	Spring Washer	ASTM A276 304
13	Handle Nut	ASTM A276 304
14	Handle Lock	ASTM A276 304

Dimension	Ø d	L	H	W
1/4"	5	39	31	70
3/8"	7	44	36	80
1/2"	9	59	38	80
3/4"	12	60	45	95
1"	15	72	54	110
1 1/4"	20	77	59	110
1 1/2"	25	84	63,5	150
2"	32	100	70	150
2 1/2"	38	120	95	200
3"	48	142	103	200
4"	64	180	128,5	250



**TECHNICAL SPECIFICATION**

1. Basic design and manufacture acc. ANSI B16.34
2. NPT threaded ends complied with ANSI B 1.20.1
3. Rc,Rp & G threaded ends complied with BS 21/2779, DIN 259/2999, ISO 228 are upon request
4. Inspection and tested according to API 598

Main Technical Parameter			
Normal pressure	1000	PSi	
Test pressure	Shell test pressure	10.5	MPa
	Tightness test	7.7	
	Gas-Tightness test	0.6	
Max working temperature	-20~180	°C	
Applicable medium: water, gas, oil, acid			