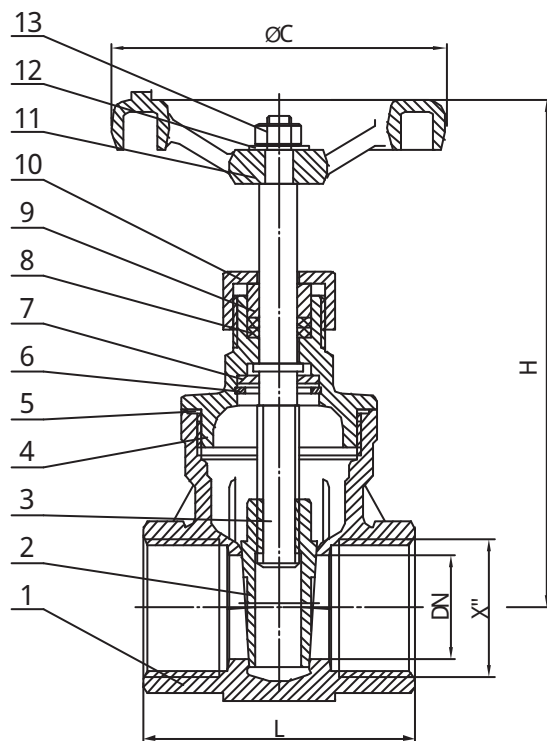


Muffen-Absperrschieber AS 1243, V4A, PN 16 / Gate Valve, AS 1243



Main Technical Parameter			
Normal pressure	200	PSi	
Test pressure	Shell test pressure	2.2	MPa
	Tightness test	1.6	
	Gas-Tightness test	0.6	
Max working temperature	-20 ~ 180	°C	
Applicable medium: water, gas, oil, acid			

13	Hand nut	A194-8
12	Spring washer	A193-B8
11	Handwheel	QT400-18
10	Cap Nut	A351 CF8M
9	Gland	A276 304
8	V-Ring Packing	PTFE
7	Washer	A276 304
6	Stop Gasket	A276 304
5	Gasket	PTFE
4	Cap	A351 CF8M
3	Stem	A276 316
2	Disc	A351 CF8M
1	Body	A351 CF8M
Nb.	Part name	Material



RO-FI / AS 1243 (3243) 2017-02 / F

SIZE	1/4"	3/8"	1/2"	3/4"	1"	1-1/4"	1-1/2"	2"	2-1/2"	3"
	DN15	DN15	DN15	DN20	DN25	DN32	DN40	DN50	DN65	DN80
L	55	55	55	60	68	76	80	93	107	118
H	93	93	93	102	115	130	145	170	202	225
ØC	70	70	70	70	80	80	90	100	125	125
Cv	2.7	3.5	4	7	12	20	27	45	75	109