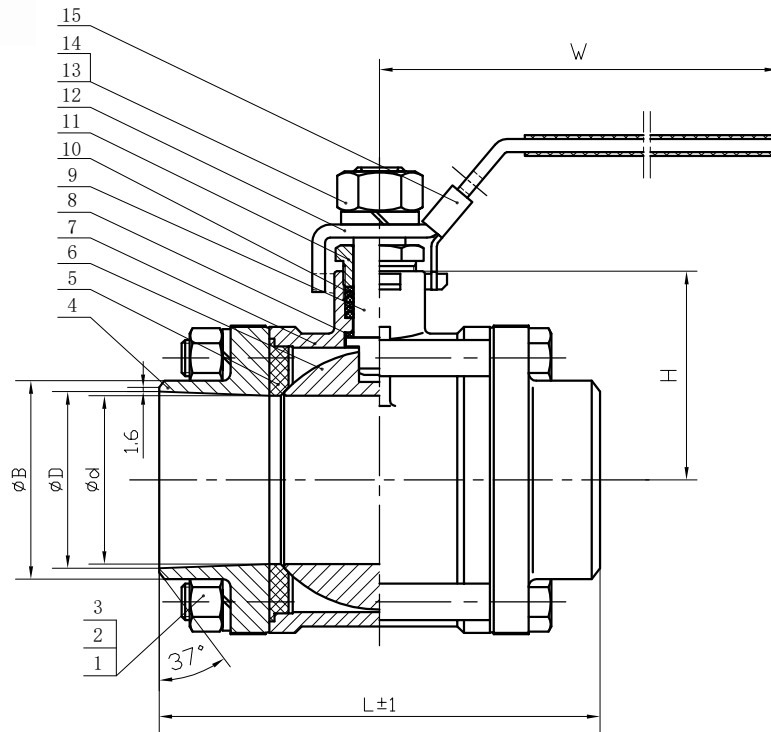




N352S 3-teil. Kugelhahn, PN 40/63, voller Durchg. Schweißenden / 3-pc. Ball Valve , PN 40/63, full bore, BW/BW, V4A



Main Technical Parameter			
Normal pressure	4.0	MPa	
Test pressure	Shell test pressure	6.0	MPa
	Tightness test	4.4	
	Gas-Tightness test	0.6	
Max working temperature	-20~100	°C	
Applicable medium: water, gas, oil, acid			

TECHNICAL SPECIFICATION

- 1 Basic design and manufacture according to ANSI B16.34;
- 2 Adjustable packing gland, Bottom-loaded blow-out proof stem;
- 3 Inspection and tested according to API598;

SIZE	ϕd	ϕD	ϕB	L	H	W
1/4	10	12.5	18	55	20.5	95
3/8	10	12.5	18	55	20.5	95
1/2	15	16	22	60	26	105
3/4	20	21	27	70	30.5	115
1	25	26	32	80	33.5	125
1 1/4	32	32	39	92	41.5	150
1 1/2	38	40	48	107	51	170
2	47	51	60	125	58	170
2 1/2	64	65	75	165	72.5	240
3	76	80	90	180	83	240
4	98	100	112	225	105	295

No.	Parts name	Material	No.	Parts name	Material
1	Bolt	ASTM A276 304	10	Packing	PTFE
2	Spring washer	ASTM A276 304	11	Packing gland	ASTM A276 304
3	Nut	ASTM A276 304	12	Handle	ASTM A276 304
4	End cap	ASTM A351 CF8M	13	Spring washer	ASTM A276 304
5	Seat	PTFE	14	Handle nut	ASTM A276 304
6	Ball	ASTM A276 316	15	Handle lock	ASTM A276 304
7	Body	ASTM A351 CF8M	16		
8	Stem gasket	PTFE	17		
9	Stem	ASTM A276 316	18		

Bis einschl. 1 " - PN 63, ab 1 1/4" - PN 40