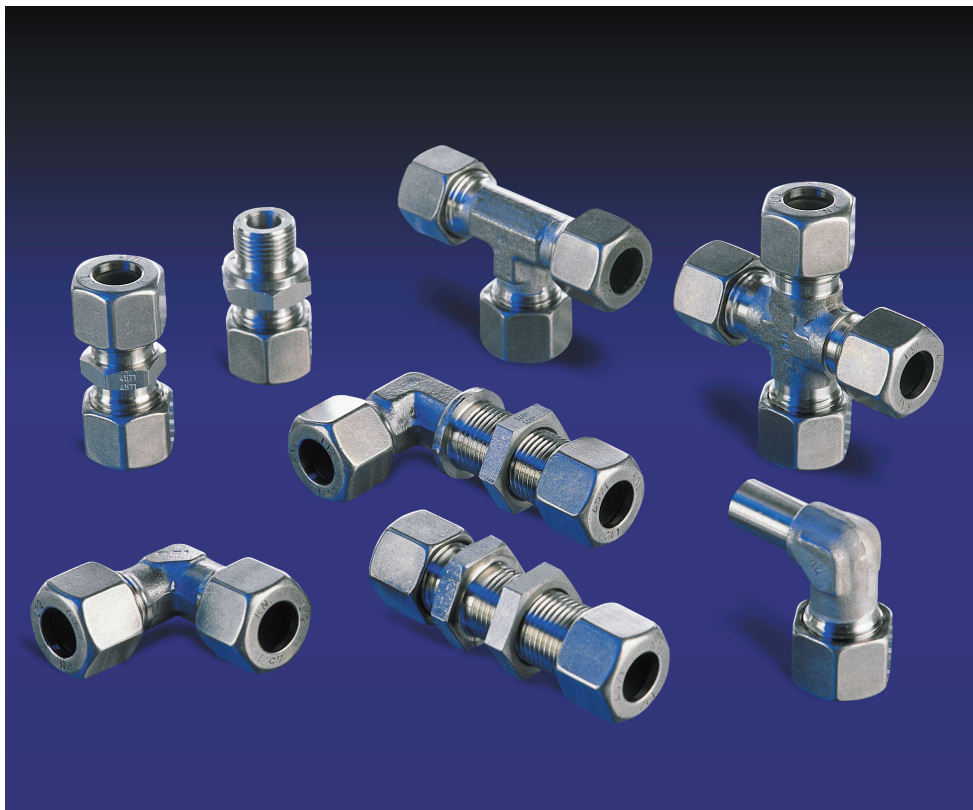


Cutting Ring Unions



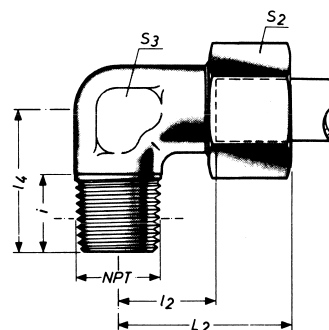
RO-FI Precision in Stainless Steel

Male Stud Elbow Coupling

NPT-thread

Sizes are approximate dimensions at tightened cap nut.

Supplementary sizes and executions on request.



line	tube AD	L4	i	l2	L2	S3	S2	Male Stud Coupling G	ca. kg for %St. 1.4571	Order number	PLS
LL very easy PN 100	4	17	9,9	11,0	21	11	10	1/8 - 27 NPT	2,1	GLL 4 - 1/8 NPT	041
	6	17	9,9	9,5	21	11	12	1/8 - 27 NPT	2,4	GLL 6 - 1/8 NPT	
	8	20	9,9	11,5	23	13	14	1/8 - 27 NPT	3,3	GLL 8 - 1/8 NPT	
L slightly PN 250	6	20	9,9	12,0	27	12	14	1/8 - 27 NPT	3,2	GL 6 - 1/8 NPT	042
	6	26	15,1	12,0	27	12	14	1/4 - 18 NPT	-	GL 6 - 1/4 NPT	
	8	26	15,1	14,0	29	12	17	1/4 - 18 NPT	4,6	GL 8 - 1/4 NPT	
	10	27	15,1	15,0	30	14	19	1/4 - 18 NPT	5,7	GL 10 - 1/4 NPT	
	12	28	15,1	17,0	32	17	22	1/4 - 18 NPT	-	GL 12 - 1/4 NPT	
	12	28	15,2	17,0	32	17	22	3/8 - 18 NPT	8,1	GL 12 - 3/8 NPT	
	15	34	19,8	21,0	36	19	27	1/2 - 14 NPT	13,5	GL 15 - 1/2 NPT	
PN 160	18	36	19,8	23,5	40	24	32	1/2 - 14 NPT	19,4	GL 18 - 1/2 NPT	042
	22	42	20,1	27,5	44	27	36	3/4 - 14 NPT	26,7	GL 22 - 3/4 NPT	
PN 100	28	48	25,0	30,5	47	37	41	1 - 11 1/2 NPT	38,5	GL 28 - 1 NPT	042
	35	54	25,6	34,5	56	41	50	1 1/4 - 11 1/2 NPT	57,5	GL 35 - 1 1/4 NPT	
	42	61	26,0	40,0	63	50	60	1 1/2 - 11 1/2 NPT	83,0	GL 42 - 1 1/2 NPT	
S heavy PN 630	6	26	15,1	16,0	31	12	17	1/4 - 18 NPT	5,6	GS 6 - 1/4 NPT	043
	8	27	15,1	17,0	32	14	19	1/4 - 18 NPT	6,9	GS 8 - 1/4 NPT	
	10	28	15,2	17,5	34	19	22	3/8 - 18 NPT	13,5	GS 10 - 3/8 NPT	
	12	28	15,1	21,5	38	17	24	1/4 - 18 NPT	-	GS 12 - 1/4 NPT	
	12	28	15,2	21,5	38	17	24	3/8 - 18 NPT	11,2	GS 12 - 3/8 NPT	
	12	28	19,8	21,5	38	17	24	1/2 - 14 NPT	-	GS 12 - 1/2 NPT	
	14	34	19,8	22,0	40	19	27	1/2 - 14 NPT	15,6	GS 14 - 1/2 NPT	
PN 400	16	36	19,8	24,5	43	24	30	1/2 - 14 NPT	19,5	GS 16 - 1/2 NPT	043
	20	42	20,1	26,5	48	27	36	3/4 - 14 NPT	31,4	GS 20 - 3/4 NPT	
	25	48	25,0	30,0	54	36	46	1 - 11 1/2 NPT	60,2	GS 25 - 1 NPT	
PN 250	30	54	25,6	35,5	62	41	50	1 1/4 - 11 1/2 NPT	82,0	GS 30 - 1 1/4 NPT	043
	38	61	26,0	41,0	72	50	60	1 1/2 - 11 1/2 NPT	116,0	GS 38 - 1 1/2 NPT	

11.2007_1.000

www.rofi.de



www.rofi.de

South

Karl-Arnold-Straße 7
D-73230 Kirchheim/Teck
Tel. +49 (0) 70 21 94 35-0
Fax +49 (0) 70 21 5 60 31
kirchheim@rofi.de

North Export

Mittelgönrather Straße 15
D-42655 Solingen
Tel. +49 (0) 2 12 2 32 54-0
Fax +49 (0) 2 12 2 32 54-11
solingen@rofi.de

Middle

Ostendstraße 3
D-63110 Rodgau-Niederroden
Tel. +49 (0) 61 06 2 85 79-30
Fax +49 (0) 61 06 2 22 08
rodgau@rofi.de

RO-FI Precision in Stainless Steel



Reliability by quality management - ISO 9001